

TVFC_EC8025-D810_EC8A25-

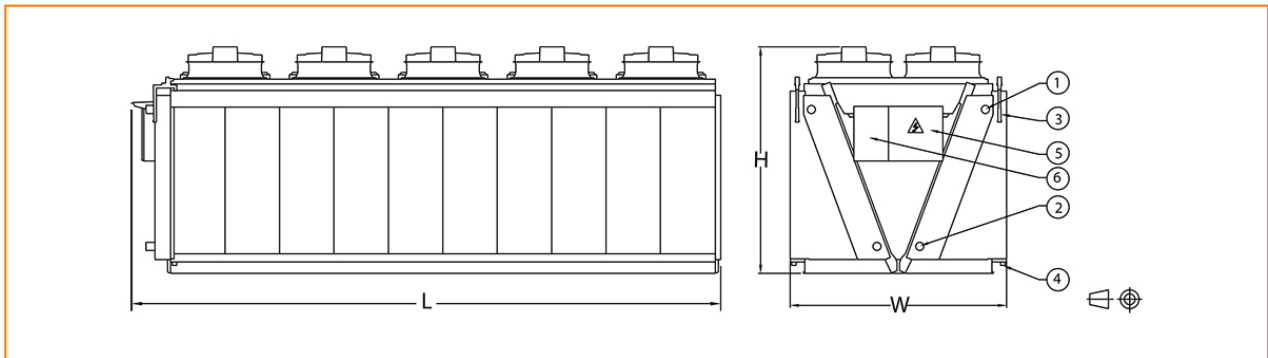
S810 Adiabatic cooling

Engineering data

REMARK: Do not use for construction. Refer to factory certified dimensions & weights. This page includes data current at time of publication, which should be reconfirmed at the time of purchase. In the interest of product improvement, specifications, weights and dimensions are subject to change without notice.

Last update: 01/01/2023

TVFC_EC8025-D810_EC8A25-S810



1. Fluid outlet connection; 2. Fluid inlet connection; 3. Pre-cooler city water connection; 4. Pre-cooler water drain; 5. Electrical power panel; 6. Control panel.



| Model | Nr. of Fans | Weights (kg) | | | Dimensions (mm) | | | Air Flow (m³/s) | Tube Internal Volume (dm³) | Surface (m²) | Connections |
|-------------------------|-------------|-------------------|------------------|-----------------------|-----------------|------|------|-----------------|----------------------------|--------------|-------------|
| | | Oper. Weight (kg) | Ship. Weight(kg) | Heaviest Section (kg) | L | W | H | | | | |
| TVFC EC802 5-D810 | 10 | 4479 | 3652 | 3652 | 6697 | 2382 | 2490 | 61.9 | 554.0 | 2768.0 | 2 |
| TVFC EC802 5-D810 | 10 | 4479 | 3652 | 3652 | 6697 | 2382 | 2490 | 61.9 | 554.0 | 2768.0 | 2 |
| TVFC EC802 5-H810 | 10 | 4479 | 3652 | 3652 | 6697 | 2382 | 2490 | 61.9 | 554.0 | 2768.0 | 2 |
| TVFC EC802 5-H810 | 10 | 4479 | 3652 | 3652 | 6697 | 2382 | 2490 | 61.9 | 554.0 | 2768.0 | 2 |
| TVFC EC802 5-L810 | 10 | 4479 | 3652 | 3652 | 6697 | 2382 | 2490 | 61.9 | 554.0 | 2768.0 | 2 |
| TVFC EC802 5-L810 | 10 | 4479 | 3652 | 3652 | 6697 | 2382 | 2490 | 61.9 | 554.0 | 2768.0 | 2 |
| TVFC EC802 5-M810 | 10 | 4479 | 3652 | 3652 | 6697 | 2382 | 2490 | 61.9 | 554.0 | 2768.0 | 2 |
| TVFC EC802 5-M810 | 10 | 4479 | 3652 | 3652 | 6697 | 2382 | 2490 | 61.9 | 554.0 | 2768.0 | 2 |
| TVFC EC802 5-Q810 | 10 | 4479 | 3652 | 3652 | 6697 | 2382 | 2490 | 61.9 | 554.0 | 2768.0 | 2 |
| TVFC EC802 5-Q810 | 10 | 4479 | 3652 | 3652 | 6697 | 2382 | 2490 | 61.9 | 554.0 | 2768.0 | 2 |
| TVFC EC802 5-S810 | 10 | 4479 | 3652 | 3652 | 6697 | 2382 | 2490 | 61.9 | 554.0 | 2768.0 | 2 |
| TVFC EC802 5-S810 | 10 | 4479 | 3652 | 3652 | 6697 | 2382 | 2490 | 61.9 | 554.0 | 2768.0 | 2 |
| TVFC EC8A2 5-D810 | 10 | 4479 | 3652 | 3652 | 6697 | 2382 | 2490 | 55.7 | 554.0 | 2768.0 | 2 |
| TVFC EC8A2 5-D810 | 10 | 4479 | 3652 | 3652 | 6697 | 2382 | 2490 | 55.7 | 554.0 | 2768.0 | 2 |
| TVFC EC8A2 5-H810 | 10 | 4479 | 3652 | 3652 | 6697 | 2382 | 2490 | 55.7 | 554.0 | 2768.0 | 2 |
| TVFC EC8A2 5-H810 | 10 | 4479 | 3652 | 3652 | 6697 | 2382 | 2490 | 55.7 | 554.0 | 2768.0 | 2 |
| TVFC EC8A2 5-L810 | 10 | 4479 | 3652 | 3652 | 6697 | 2382 | 2490 | 55.7 | 554.0 | 2768.0 | 2 |
| TVFC EC8A2 5-L810 | 10 | 4479 | 3652 | 3652 | 6697 | 2382 | 2490 | 55.7 | 554.0 | 2768.0 | 2 |
| TVFC | 10 | 4479 | 3652 | 3652 | 6697 | 2382 | 2490 | 55.7 | 554.0 | 2768.0 | 2 |



| | | | | | | | | | | | |
|-------------------------|----|------|------|------|------|------|------|------|-------|--------|---|
| EC8A2 5-M810 | | | | | | | | | | | |
| TVFC EC8A2 5-M810 | 10 | 4479 | 3652 | 3652 | 6697 | 2382 | 2490 | 55.7 | 554.0 | 2768.0 | 2 |
| TVFC EC8A2 5-Q810 | 10 | 4479 | 3652 | 3652 | 6697 | 2382 | 2490 | 55.7 | 554.0 | 2768.0 | 2 |
| TVFC EC8A2 5-Q810 | 10 | 4479 | 3652 | 3652 | 6697 | 2382 | 2490 | 55.7 | 554.0 | 2768.0 | 2 |
| TVFC EC8A2 5-S810 | 10 | 4479 | 3652 | 3652 | 6697 | 2382 | 2490 | 55.7 | 554.0 | 2768.0 | 2 |
| TVFC EC8A2 5-S810 | 10 | 4479 | 3652 | 3652 | 6697 | 2382 | 2490 | 55.7 | 554.0 | 2768.0 | 2 |