



# Sound attenuation VS

## Refrigerant condensers

### Engineering data

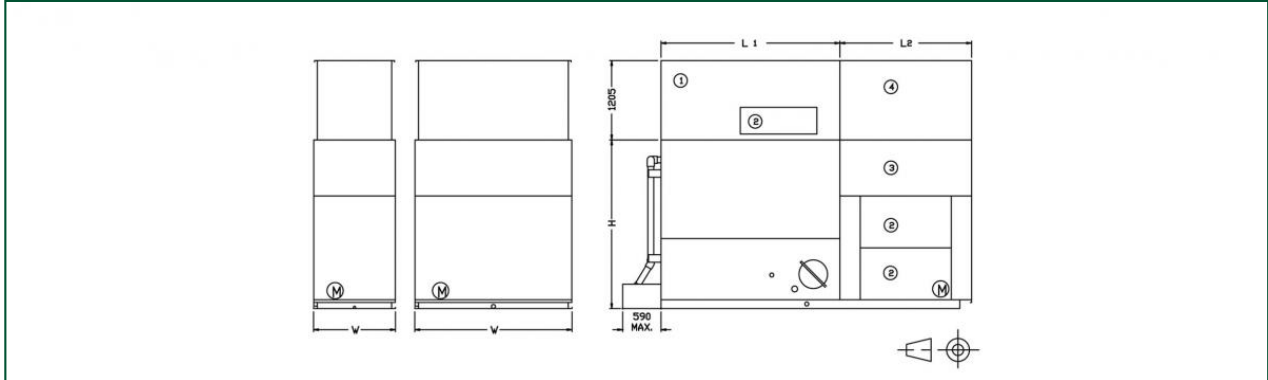
**REMARK:** Do not use for construction. Refer to factory certified dimensions & weights. This page includes data current at time of publication, which should be reconfirmed at the time of purchase. In the interest of product improvement, specifications, weights and dimensions are subject to change without notice.

### General notes

1. All models are single coil section units. Fan cycling results only in on-off operation. For additional steps of control, the Baltiguard<sup>®</sup> Drive System and two-speed fan motors are available. More precise capacity control can be obtained with modulating fan discharge dampers.
2. Make up, overflow, suction, drain connections and access door can be provided on side opposite of that shown; consult your BAC representative.
3. Unit height is indicative, for precise value refer to certified print.
4. Shipping/operating weights indicated are for units without accessories such as sound attenuators, discharge hoods, etc. Consult factory certified prints to obtain weight additions and the heaviest section to be lifted.
5. For indoor applications of evaporative condensers, the room may be used as a plenum with ductwork attached to the discharge only. If inlet ductwork is required, an enclosed fan section must be specified; consult your BAC representative for details.
6. Fan kW is at 0 Pa ESP. To operate against external static pressure up to 125 Pa, increase each fan motor one size.
7. Refrigerant charge listed is R 717 operating charge. To determine operating charge of R22 refrigerants, multiply by: 1,93. For R134A, multiply by: 1,98.
8. Refrigerant connections are standard bevelled for welding.

**Last update:** 01/07/2021

### Sound attenuation VS



1. Discharge attenuator; 2. Access door; 3. Intake attenuator; 4. Plenum; W & H = Unit dimensions (see Engineering Data).



Model	Dimensions (mm)		Weights (kg)		
	L2	L	Intake	Discharge	Total
VCL 042-079	2010	1820	N.A.	N.A.	725
VCL 167-258	2010	2730	756	419	1175
VCL 131-159	2010	3650	566	334	900
VCL 084-133	2010	2730	541	264	805
VCL 042-079	2010	1820	548	192	740
VCL 239-321	2010	3650	N.A.	N.A.	1310
VCL 167-258	2010	2730	N.A.	N.A.	1205
VCL 131-159	2010	3650	N.A.	N.A.	915
VCL 084-133	2010	2730	N.A.	N.A.	830
VCL 239-321	2010	3650	761	529	1290