

TVC_EC8023-D810_EC8023-S810

Adiabatic cooling

Engineering data

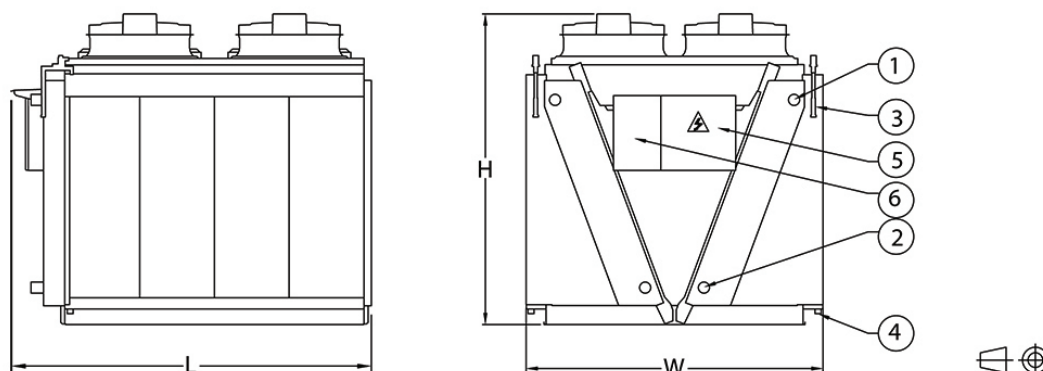
REMARK: Do not use for construction. Refer to factory certified dimensions & weights. This page includes data current at time of publication, which should be reconfirmed at the time of purchase. In the interest of product improvement, specifications, weights and dimensions are subject to change without notice.

General notes

1. Sound Pressure Levels (L_{pA}) are measured in the horizontal plane at a distance of 10 m from the connection end of the unit, under free field conditions.
2. Adiabatic pre-cooling sections are shipped separately and need to be installed on site.

Last update

TVC_EC8023-D810_EC8023-S810



1. Fluid outlet connection; 2. Fluid inlet connection; 3. Pre-cooler city water connection; 4. Pre-cooler water drain; 5. Electrical power panel; 6. Control panel.