

VRC_12

Refrigerant condensers

Engineering data

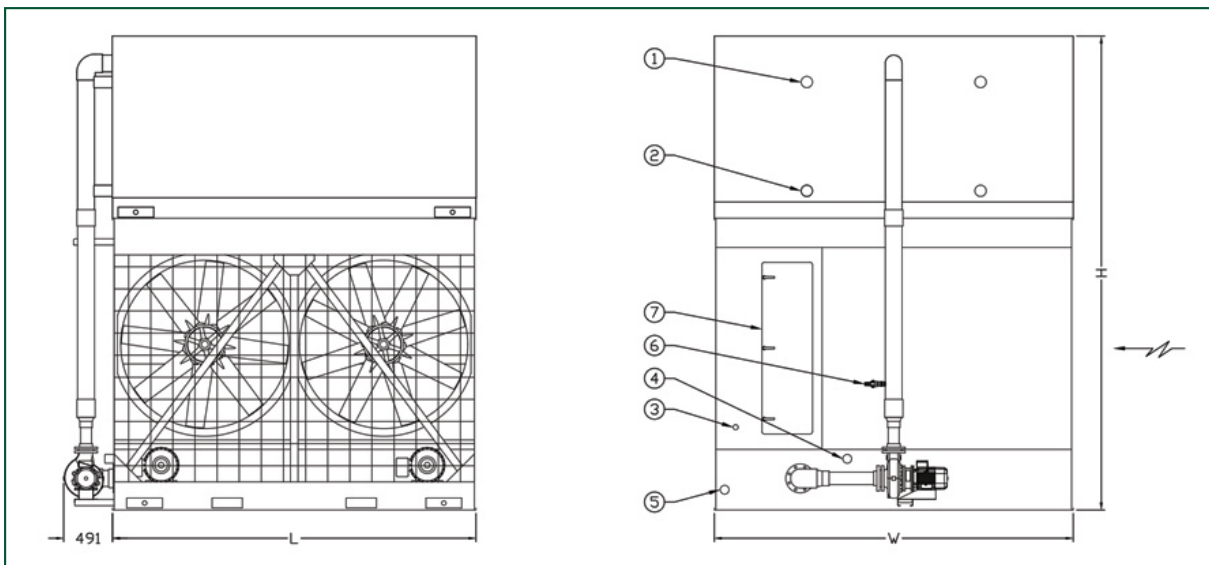
REMARK: Do not use for construction. Refer to factory certified dimensions & weights. This page includes data current at time of publication, which should be reconfirmed at the time of purchase. In the interest of product improvement, specifications, weights and dimensions are subject to change without notice.

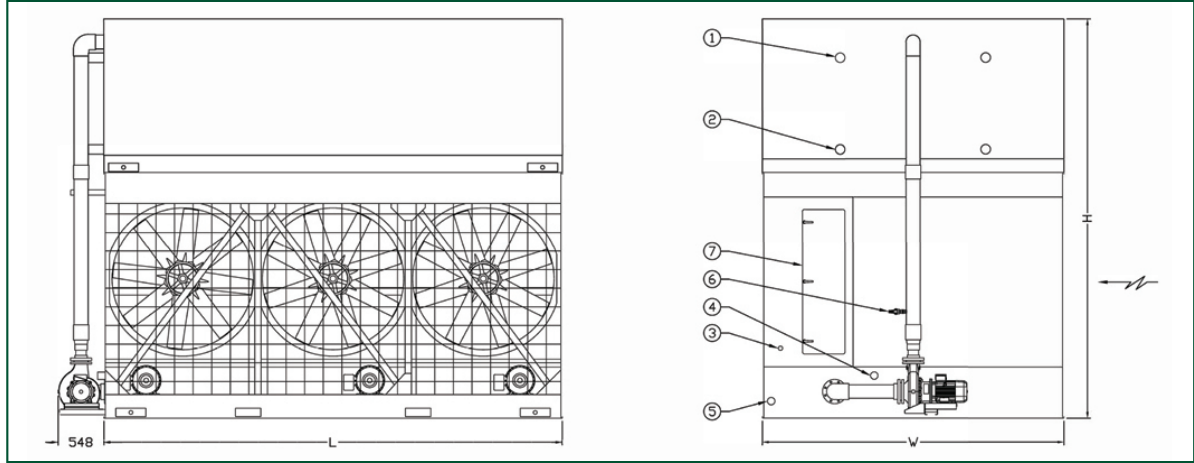
General notes

1. Standard refrigerant in- and outlet connection sizes are ND100. Consult your local BAC Balticare representative for locations. Refrigerant connections are closed and coils are filled with an inert gas.
2. Unit height is indicative. For precise value refer to certified print.
3. Shipping/operating weights indicated are for units without accessories such as sound attenuators, discharge hoods, etc. Consult factory certified prints to obtain weight additions and the heaviest section to be lifted. Operating weights shown in the tables is based on total unit weight, weight of refrigerant operating charge and basin filled to overflow level.
4. Drawings show the standard right hand arrangement (air inlet side on the right when facing the connection end). Left hand arrangement can be supplied upon request.

Last update: 22/03/2021

VRC_12





1. Refrigerant in ND100; 2. Refrigerant out ND100; 3. Make up ND40; 4. Overflow ND80; 5. Drain ND50; 6. Bleed ND25; 7 Access door.



Model	Weights (kg)			Dimensions (mm)			Air Flow (m³/s)	Fan Motor (kW)	Water Flow (l/s)	Pump Motor (kW)	R717 charge (kg)
	Oper. Weight (kg)	Ship. Weight(kg)	Heaviest Section (kg)	L	W	H					
VRC 0 243A-1 212E- HA	8805	7678	4741	3651	3607	4575	25.3	(2x) 4.0	38.5	(1x) 4.0	256.0
VRC 0 270A-1 212E- JA	8862	7735	4741	3651	3607	4575	29.2	(2x) 5.5	38.5	(1x) 4.0	256.0
VRC 0 229A-1 212E- GA	10047	8848	5911	3651	3607	4764	19.7	(2x) 2.2	38.5	(1x) 4.0	334.0
VRC 0 292A-1 212E- JA	10103	8904	5911	3651	3607	4764	27.4	(2x) 5.5	38.5	(1x) 4.0	334.0
VRC 0 314A-1 212E- KA	10125	8926	5911	3651	3607	4764	30.2	(2x) 7.5	38.5	(1x) 4.0	334.0
VRC 0 349A-1 212E- LA	10272	9073	5911	3651	3607	4764	35.0	(2x) 11.0	38.5	(1x) 4.0	334.0
VRC 0 377A-1 212E- MA	10328	9129	5911	3651	3607	4764	38.7	(2x) 15.0	38.5	(1x) 4.0	334.0
VRC 0 392A-1 212E- MA	11198	9948	6730	3651	3607	4955	35.4	(2x) 15.0	38.5	(1x) 4.0	388.0
VRC 0 415A-1 212E- NA	11234	9984	6730	3651	3607	4955	38.3	(2x) 18.5	38.5	(1x) 4.0	388.0
VRC 0 321A-1 218E- GA	12351	10684	6777	5480	3607	4575	30.5	(3x) 2.2	56.2	(1x) 5.5	384.0
VRC 0 367A-1 218E- HA	12349	10682	6777	5480	3607	4575	36.5	(3x) 4.0	56.2	(1x) 5.5	384.0
VRC 0 408A-1 218E- JA	12435	10768	6777	5480	3607	4575	42.1	(3x) 5.5	56.2	(1x) 5.5	384.0
VRC 0 467A-1 218E- XA	12671	11004	6777	5480	3607	4575	50.5	(3x) 9.0	56.2	(1x) 5.5	384.0
VRC 0 441A-1 218E-	14245	12470	8479	5480	3607	4764	40.6	(3x) 5.5	56.2	(1x) 5.5	500.0



JA											
VRC 0 570A-1 218E- MA	14583	12808	8479	5480	3607	4764	57.4	(3x) 15.0	56.2	(1x) 5.5	500.0
VRC 0 495A-1 218E- KA	15551	13699	9676	5480	3607	4955	40.7	(3x) 7.5	56.2	(1x) 5.5	582.0
VRC 0 550A-1 218E- LA	15771	13920	9676	5480	3607	4955	46.9	(3x) 11.0	56.2	(1x) 5.5	582.0
VRC 0 593A-1 218E- MA	15856	14005	9676	5480	3607	4955	51.9	(3x) 15.0	56.2	(1x) 5.5	582.0
VRC 0 629A-1 218E- NA	15910	14059	9676	5480	3607	4955	56.2	(3x) 18.5	56.2	(1x) 5.5	582.0