

# TRF-1010

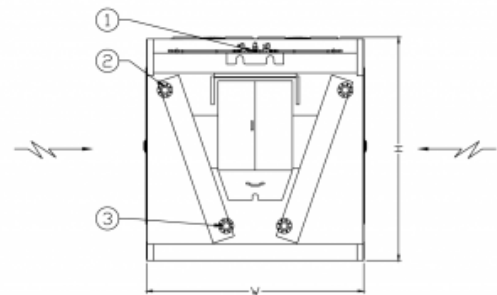
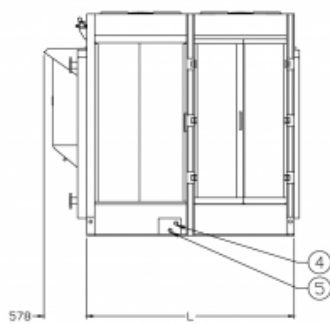
## Adiabatic cooling

### Engineering data

**REMARK:** Do not use for construction. Refer to factory certified dimensions & weights. This page includes data current at time of publication, which should be reconfirmed at the time of purchase. In the interest of product improvement, specifications, weights and dimensions are subject to change without notice.

**Last update:** 18/01/2022

### TRF-1010



1. Water supply; 2. Fluid outlet connection; 3. Fluid inlet connection; 4. Overflow; 5. Drain.



Model	Nr. of Fans	Weights (kg)			Dimensions (mm)			Air Flow (m <sup>3</sup> /s)		Tube Internal Volume (dm <sup>3</sup> )	Surface (m <sup>2</sup> )	Connections
		Oper. Weight (kg)	Ship. Weight(kg)	Heaviest Section (kg)	L	W	H	Δ	Υ			
TRF 1 010E-C80EL 17E	4	3580	3030	3030	3595	2985	2972	27.1	27.1	342.0	1714.0	2
TRF 1 010E-C80E M17E	4	3580	3030	3030	3595	2985	2972	27.1	27.1	342.0	1714.0	2
TRF 1 010E-C80E S17E	4	3580	3030	3030	3595	2985	2972	27.1	27.1	342.0	1714.0	2