

DCV-AD S9122-S416

Adiabatic cooling

Engineering data

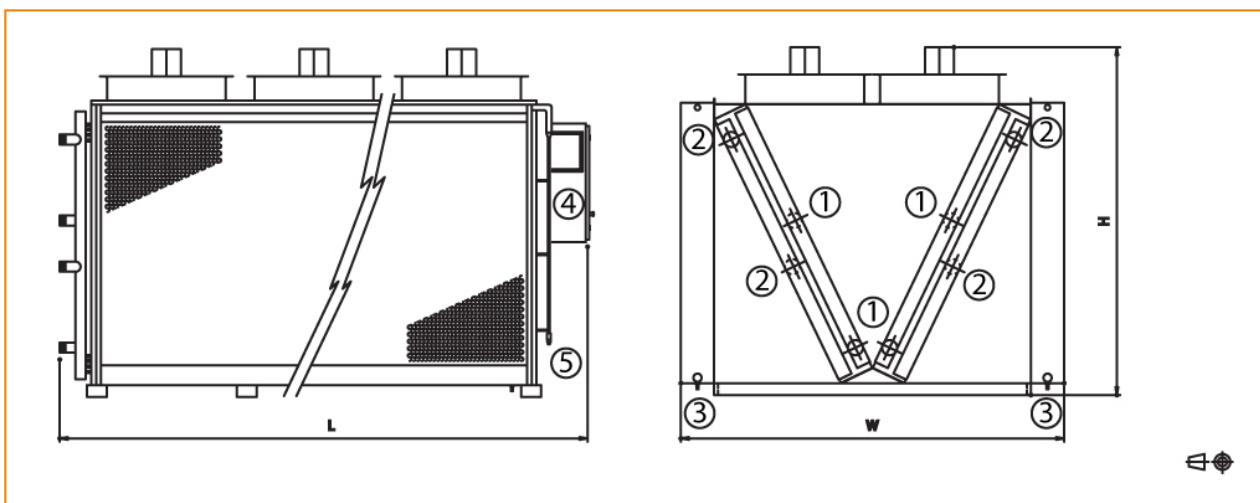
REMARK: Do not use for construction. Refer to factory certified dimensions & weights. This page includes data current at time of publication, which should be reconfirmed at the time of purchase. In the interest of product improvement, specifications, weights and dimensions are subject to change without notice.

General notes

1. Sound Pressure Levels (L_{pA}) are measured in the horizontal plane at a distance of 10 m from the connection end of the unit, under free field conditions.
2. Adiabatic pre-cooling sections are shipped separately and need to be installed on site.

Last update: 01/07/2021

DCV-AD S9122-S416



1. Refrigerant inlet connections; 2. Refrigerant outlet connections; 3 . Pre-cooler water drain and overflow; 4. Electrical panel; 5. Pre-cooler city water connection.



Model	Nr. of Fans	Air Flow (m ³ /s)	Surface (m ²)	Tube Internal Volume (dm ³)	Lp _A dB(A)	Ship. Weight(kg)	Dimensions (mm)		
		Δ/γ			Δ/γ		L	W	H
S9122-S 416D-AD	4 (2+2)	24/18	1850	191	59/52	1557	2931	2730	2810
S9123-S 416D-AD	6 (3+3)	36/27	2775	287	61/54	2190	4081	2730	2810
S9124-S 416D-AD	8 (4+4)	48/35,9	3700	382	61/54	2871	5181	2730	2810
S9125-S 416D-AD	10 (5+5)	60/44,9	4625	478	62/55	3564	6313	2730	2810
S9126-S 416D-AD	12 (6+6)	72/53,9	5550	574	63/56	4218	7413	2730	2810