

# SP 2A D610-B - T610-B

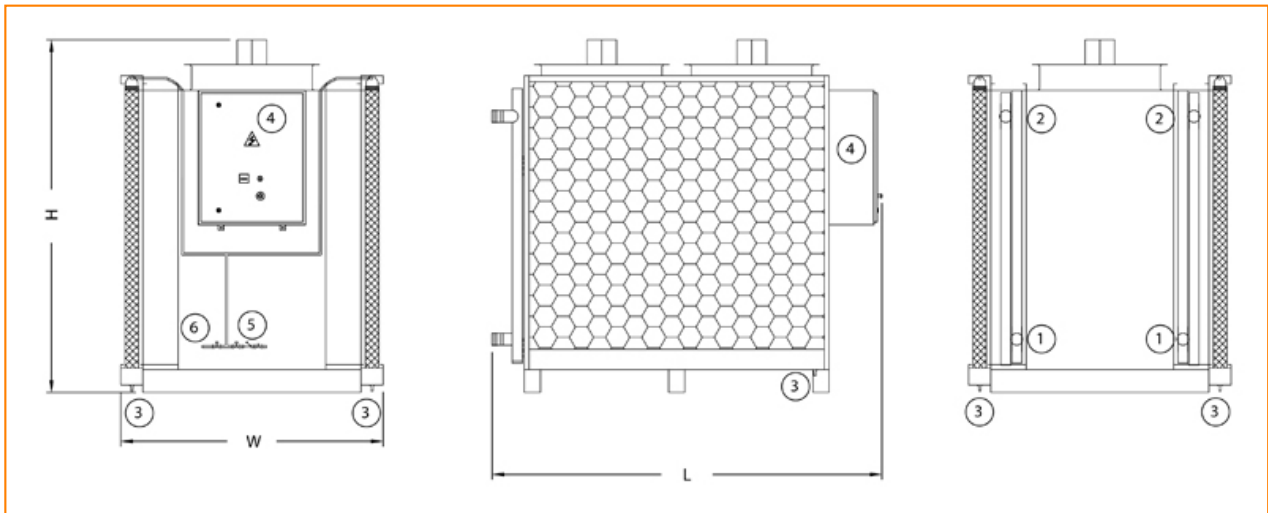
## Adiabatic cooling

## Engineering data

**REMARK:** Do not use for construction. Refer to factory certified dimensions & weights. This page includes data current at the time of publication, which should be reconfirmed at the time of purchase. In the interest of product improvement, specifications, weights and dimensions are subject to change without notice.

**Last update:** 01/07/2021

### SP 2A D610-B - T610-B



1. Fluid inlet connections; 2. Fluid outlet connections; 3. Pre-cooler water drain; 4. Electrical panel; 5. Pre-cooler city water connection; 6. Pre-cooler piping drain.  
On model SP2A D610-B the fluid-in connections are located at the opposite side of the unit.



Model	Nr. of Fans	Weights (kg)			Dimensions (mm)			Air Flow (m <sup>3</sup> /s)		Tube Internal Volume (dm <sup>3</sup> )	Surface (m <sup>2</sup> )	Connections
		Oper. Weight (kg)	Ship. Weight(kg)	Heaviest Section (kg)	L	W	H	Δ	Υ			
SP 2 A-D610-B	2	1540	1300	1300	2916	2206	2575	14.8	11.5	94.0	1592.0	2
SP 2 A-H610-B	2	1540	1300	1300	2916	2206	2575	14.8	11.5	94.0	1592.0	2
SP 2 A-L610-B	2	1540	1300	1300	2916	2206	2575	14.8	11.5	94.0	1592.0	2
SP 2 A-M610-B	2	1540	1300	1300	2916	2206	2575	14.8	11.5	94.0	1592.0	2
SP 2 A-S610-B	2	1540	1300	1300	2916	2206	2575	14.8	11.5	94.0	1592.0	2
SP 2 A-T610-B	2	1540	1300	1300	2916	2206	2575	14.8	11.5	94.0	1592.0	2