

# TSU-C/D 185-230-270-310-350

## Ice thermal storage

## Engineering data

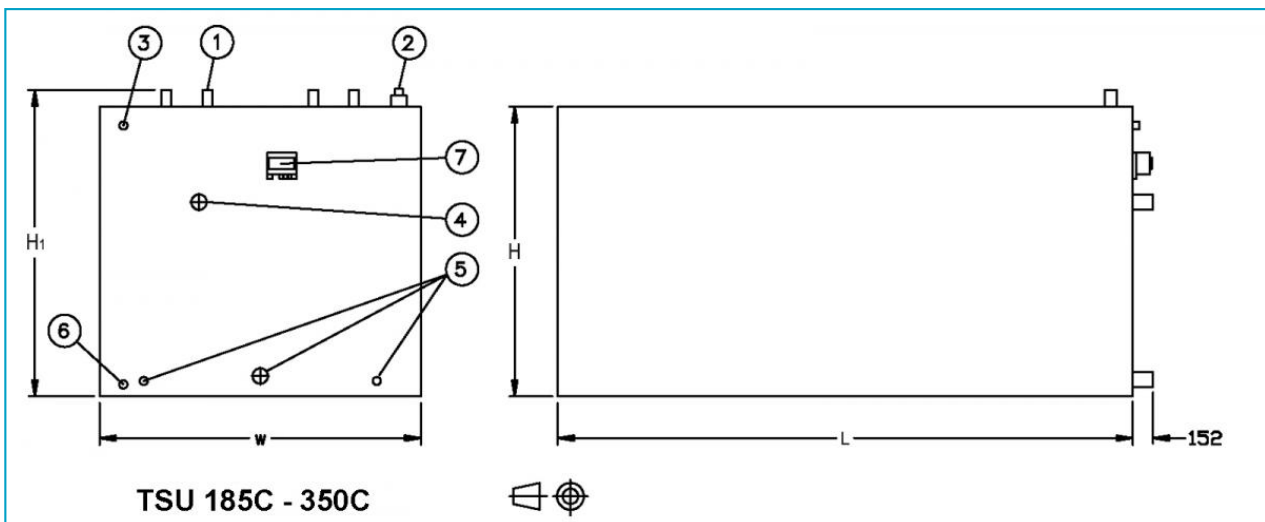
**REMARK:** Do not use for construction. Refer to factory certified dimensions & weights. This page includes data current at time of publication, which should be reconfirmed at the time of purchase. In the interest of product improvement, specifications, weights and dimensions are subject to change without notice.

### General notes

1. All dimensions are in mm. Weights are in kg.
2. Unit should be continuously supported on a flat level surface.
3. All connections are threaded.
4.  $H_1$  = installed height. Coils connections are closed and filled with inert gas for shipping and storage. Add 130 mm for shipping height.
5. Refrigerant charge listed is operating charge for pump recirculated bottom feed. For other feed systems, consult your BAC Balticare representative.

**Last update:** 01/09/2022

### TSU-C/D 185-230-270-310-350



1. Coil connections; 2. Make up ND50; 3. Overflow ND50; 4. Water out; 5. Water in; 6. Drain ND50; 7. ICE LOGIC®.



Model	Approx. Ship. Weight (kg)	Approx. Oper. Weight (kg)	Air Pump (kW)	Water Volume (l)	Pull Down Volume (l)	Coil Volume (L)	R717 charge (kg)	Water Conn. In ND (mm)	Water Conn. Out ND (mm)	H	H1	L	W
TSU-185C	4130	17020	1,1	12270	341	595	257	100+2x50	100	2160	2360	3073	2400
TSU-230C	4730	20300	1,1	14880	416	680	294	100+2x50	100	2160	2360	3683	2400
TSU-270C	5285	23580	1,1	17450	454	821	354	100+2x50	100	2160	2360	4293	2400
TSU-310C	6065	27085	1,1	20020	530	906	391	100+2x50	100	2160	2360	4877	2400
TSU-350C	6620	30365	1,5	22640	606	1020	440	150+2x80	150	2160	2360	5486	2400