



# XES3E 8518, 1020-1424

## Open cooling towers

## Engineering data

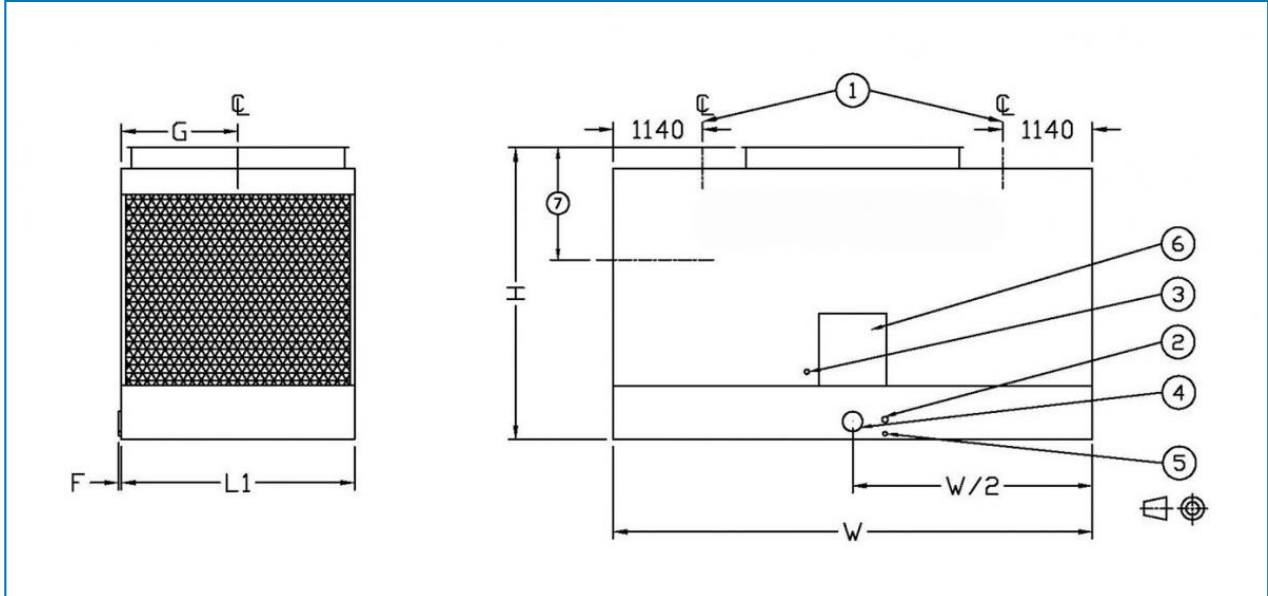
**REMARK:** Do not use for construction. Refer to factory certified dimensions & weights. This page includes data current at time of publication, which should be reconfirmed at the time of purchase. In the interest of product improvement, specifications, weights and dimensions are subject to change without notice.

### General notes

1. Operating weight is for tower with the water level in the cold water basin at overflow. If a lower operating weight is needed to meet design requirements, your local BAC Balticare representative can provide additional assistance.
2. Heights are for units with gear drive, except for models with motors up to and including 18,5 kW which are only available with belt-drive.
3. Models with motors of 22 to 55 kW are shipped an optional gear drive and may have heights up to 190 mm lower than shown.
4. Models with optional Whisper Quiet fan may have heights up to 1000 mm greater than shown.
5. Models with an optional Velocity Recovery Stack can be up to 1500 mm higher
6. Intake attenuators are shipped installed for single cell units. For 2 or more cells, consult factory.
7. Models 1222-10 thru 1222-14 and 1424-12 thru 1424-14 ship in two sections per cell. Top section heights are for models 1222-10 thru 1222-13 and 1424-12 thru 1424-13, 2838 mm. For models 1222-14 and 1424-14, 3245 mm.

**Last update:** 01/07/2021

## XES3E 8518, 1020-1424



1. Water in; 2. Overflow ND80; 3. Make up; 4. Water out; 5. Drain ND50; 6. Access door.



Model	Weights (kg)			Dimensions (mm)			Air Flow (m³/s)	Fan Motor (kW)	Fluid Inlet ND (mm)	Fluid Outlet ND (mm)	Make Up ND (mm)
	Oper. Weight (kg)	Ship. Weight(kg)	Heaviest Section (kg)	L	W	H					
XES3E 8518-0 5J/H	6706	3083	3083	2585	5500	2840	28.8	(1x) 5.5	(2x) 150	(1x) 200	(1x) 25
XES3E 8518-0 5K/H	6706	3083	3083	2585	5500	2840	31.6	(1x) 7.5	(2x) 150	(1x) 200	(1x) 25
XES3E 8518-0 5G/H	6830	3385	3385	2585	5500	2840	21.7	(1x) 2.2	(2x) 150	(1x) 200	(1x) 25
XES3E 8518-0 5H/H	6840	3390	3390	2585	5500	2840	25.4	(1x) 4.0	(2x) 150	(1x) 200	(1x) 25
XES3E 8518-0 6J/H	7151	3296	3296	2585	5500	3247	31.5	(1x) 5.5	(2x) 150	(1x) 200	(1x) 25
XES3E 8518-0 6K/H	7151	3296	3296	2585	5500	3247	34.4	(1x) 7.5	(2x) 150	(1x) 200	(1x) 25
XES3E 8518-0 6G/H	7195	3505	3505	2585	5500	3247	23.7	(1x) 2.2	(2x) 150	(1x) 200	(1x) 25
XES3E 8518-0 6H/H	7205	3510	3510	2585	5500	3247	27.7	(1x) 4.0	(2x) 150	(1x) 200	(1x) 25
XES3E 1020-0 6J/H	8435	3823	3823	2980	6110	3247	33.5	(1x) 5.5	(2x) 150	(1x) 200	(1x) 40
XES3E 1020-0 6K/H	8435	3823	3823	2980	6110	3247	36.6	(1x) 7.5	(2x) 150	(1x) 200	(1x) 40
XES3E 1020-0 6L/H	8435	3823	3823	2980	6110	3247	41.5	(1x) 11.0	(2x) 150	(1x) 200	(1x) 40
XES3E 1020-0 6G/H	8490	4130	4130	2980	6110	3247	25.3	(1x) 2.2	(2x) 150	(1x) 200	(1x) 40
XES3E 1020-0 6H/H	8495	4135	4135	2980	6110	3247	29.6	(1x) 4.0	(2x) 150	(1x) 200	(1x) 40
XES3E 1020-0 7K/H	8844	3968	3968	2980	6110	3653	39.6	(1x) 7.5	(2x) 150	(1x) 250	(1x) 40
XES3E 1020-0 7L/H	8844	3968	3968	2980	6110	3653	44.8	(1x) 11.0	(2x) 150	(1x) 250	(1x) 40
XES3E 1020-0 7G/H	8925	4355	4355	2980	6110	3653	27.3	(1x) 2.2	(2x) 150	(1x) 250	(1x) 40
XES3E 1020-0 7H/H	8930	4365	4365	2980	6110	3653	32.0	(1x) 4.0	(2x) 150	(1x) 250	(1x) 40
XES3E 1020-0 7J/H	8985	4420	4420	2980	6110	3653	36.3	(1x) 5.5	(2x) 150	(1x) 250	(1x) 40
XES3E	10160	4790	4790	3600	6566	3247	33.9	(1x)	(2x)	(1x)	(1x) 40



1222-0 6H/H								4.0	200	250	
XES3E 1222-0 6J/H	10215	4845	4845	3600	6566	3247	38.5	(1x) 5.5	(2x) 200	(1x) 250	(1x) 40
XES3E 1222-0 6K/H	10483	4626	4626	3600	6566	3247	42.0	(1x) 7.5	(2x) 200	(1x) 250	(1x) 40
XES3E 1222-0 6L/H	10483	4626	4626	3600	6566	3247	47.6	(1x) 11.0	(2x) 200	(1x) 250	(1x) 40
XES3E 1222-0 7J/H	11300	5110	5110	3600	6566	3653	41.6	(1x) 5.5	(2x) 200	(1x) 250	(1x) 40
XES3E 1222-0 7K/H	11305	5110	5110	3600	6566	3653	45.5	(1x) 7.5	(2x) 200	(1x) 250	(1x) 40
XES3E 1222-0 7L/H	11663	4903	4903	3600	6566	3653	51.5	(1x) 11.0	(2x) 200	(1x) 250	(1x) 40
XES3E 1222-0 7M/H	11663	4903	4903	3600	6566	3653	56.2	(1x) 15.0	(2x) 200	(1x) 250	(1x) 40
XES3E 1222-1 0K/H	13795	6420	3680	3600	6566	4920	55.5	(1x) 7.5	(2x) 200	(1x) 300	(1x) 40
XES3E 1222-1 0L/H	13840	6470	3730	3600	6566	4920	62.6	(1x) 11.0	(2x) 200	(1x) 300	(1x) 40
XES3E 1222-1 0M/H	13840	6470	3730	3600	6566	4920	68.2	(1x) 15.0	(2x) 200	(1x) 300	(1x) 40
XES3E 1222-1 0N/H	14555	6251	3959	3600	6566	4920	72.8	(1x) 18.5	(2x) 200	(1x) 300	(1x) 40
XES3E 1222-1 0O/H	14555	6251	3959	3600	6566	5110	76.7	(1x) 22.0	(2x) 200	(1x) 300	(1x) 40
XES3E 1222-1 2K/H	15175	6855	3775	3600	6566	5733	59.1	(1x) 7.5	(2x) 200	(1x) 300	(1x) 40
XES3E 1222-1 2L/H	15225	6905	3825	3600	6566	5733	66.6	(1x) 11.0	(2x) 200	(1x) 300	(1x) 40
XES3E 1222-1 2M/H	15225	6905	3825	3600	6566	5733	72.5	(1x) 15.0	(2x) 200	(1x) 300	(1x) 40
XES3E 1222-1 2N/H	15225	6905	3825	3600	6566	5733	77.3	(1x) 18.5	(2x) 200	(1x) 300	(1x) 40
XES3E 1222-1 2O/H	15904	6583	3995	3600	6566	5923	81.5	(1x) 22.0	(2x) 200	(1x) 300	(1x) 40
XES3E 1222-1 3K/H	15750	6960	3685	3600	6566	6370	60.8	(1x) 7.5	(2x) 200	(1x) 300	(1x) 40
XES3E 1222-1 3L/H	15780	6990	3720	3600	6566	6370	68.6	(1x) 11.0	(2x) 200	(1x) 300	(1x) 40
XES3E 1222-1	15790	7000	3725	3600	6566	6370	74.6	(1x) 15.0	(2x) 200	(1x) 300	(1x) 40



3M/H											
XES3E 1222-1 3N/H	15855	7065	3790	3600	6566	6370	79.6	(1x) 18.5	(2x) 200	(1x) 300	(1x) 40
XES3E 1222-1 3O/H	15875	7085	3815	3600	6566	6560	83.9	(1x) 22.0	(2x) 200	(1x) 300	(1x) 40
XES3E 1222-1 4L/H	16315	7175	3925	3600	6566	6547	71.0	(1x) 11.0	(2x) 200	(1x) 300	(1x) 40
XES3E 1222-1 4M/H	16315	7175	3925	3600	6566	6547	77.2	(1x) 15.0	(2x) 200	(1x) 300	(1x) 40
XES3E 1222-1 4N/H	16315	7175	3925	3600	6566	6547	82.4	(1x) 18.5	(2x) 200	(1x) 300	(1x) 40
XES3E 1222-1 4O/H	16315	7175	3925	3600	6566	6737	86.8	(1x) 22.0	(2x) 200	(1x) 300	(1x) 40
XES3E 1424-0 7M/H	13756	5480	5480	4245	7328	3655	63.1	(1x) 15.0	(2x) 200	(1x) 300	(1x) 40
XES3E 1424-0 7N/H	13756	5480	5480	4245	7328	3655	67.5	(1x) 18.5	(2x) 200	(1x) 300	(1x) 40
XES3E 1424-0 7J/H	14865	7035	7035	4245	7328	3655	46.7	(1x) 5.5	(2x) 200	(1x) 300	(1x) 40
XES3E 1424-0 7K/H	14870	7040	7040	4245	7328	3655	51.1	(1x) 7.5	(2x) 200	(1x) 300	(1x) 40
XES3E 1424-0 7L/H	14920	7090	7090	4245	7328	3655	57.8	(1x) 11.0	(2x) 200	(1x) 300	(1x) 40
XES3E 1424-1 2P/H	18746	7540	4644	4245	7328	5923	101.7	(1x) 30.0	(2x) 250	(1x) 350	(1x) 50
XES3E 1424-1 2L/H	19265	9165	4895	4245	7328	5733	76.8	(1x) 11.0	(2x) 250	(1x) 350	(1x) 50
XES3E 1424-1 2M/H	19265	9165	4895	4245	7328	5733	83.5	(1x) 15.0	(2x) 250	(1x) 350	(1x) 50
XES3E 1424-1 2N/H	19265	9165	4895	4245	7328	5733	89.0	(1x) 18.5	(2x) 250	(1x) 350	(1x) 50
XES3E 1424-1 2O/H	19265	9165	4895	4245	7328	5923	93.7	(1x) 22.0	(2x) 250	(1x) 350	(1x) 50
XES3E 1424-1 3L/H	19885	9335	4910	4245	7328	6370	79.4	(1x) 11.0	(2x) 250	(1x) 350	(1x) 50
XES3E 1424-1 3M/H	19895	9345	4915	4245	7328	6370	86.2	(1x) 15.0	(2x) 250	(1x) 350	(1x) 50
XES3E 1424-1 3N/H	19960	9405	4980	4245	7328	6370	91.9	(1x) 18.5	(2x) 250	(1x) 350	(1x) 50
XES3E 1424-1 3O/H	19980	9430	5005	4245	7328	6560	96.7	(1x) 22.0	(2x) 250	(1x) 350	(1x) 50



<b>XES3E 1424-1 3P/H</b>	<b>20045</b>	<b>9495</b>	<b>5065</b>	<b>4245</b>	<b>7328</b>	<b>6560</b>	<b>104.9</b>	<b>(1x) 30.0</b>	<b>(2x) 250</b>	<b>(1x) 350</b>	<b>(1x) 50</b>
<b>XES3E 1424-1 4M/H</b>	<b>20485</b>	<b>9485</b>	<b>5225</b>	<b>4245</b>	<b>7328</b>	<b>6547</b>	<b>89.6</b>	<b>(1x) 15.0</b>	<b>(2x) 250</b>	<b>(1x) 350</b>	<b>(1x) 50</b>
<b>XES3E 1424-1 4N/H</b>	<b>20485</b>	<b>9485</b>	<b>5225</b>	<b>4245</b>	<b>7328</b>	<b>6547</b>	<b>95.4</b>	<b>(1x) 18.5</b>	<b>(2x) 250</b>	<b>(1x) 350</b>	<b>(1x) 50</b>
<b>XES3E 1424-1 4O/H</b>	<b>20485</b>	<b>9485</b>	<b>5225</b>	<b>4245</b>	<b>7328</b>	<b>6737</b>	<b>100.5</b>	<b>(1x) 22.0</b>	<b>(2x) 250</b>	<b>(1x) 350</b>	<b>(1x) 50</b>
<b>XES3E 1424-1 4P/H</b>	<b>20640</b>	<b>9640</b>	<b>5375</b>	<b>4245</b>	<b>7328</b>	<b>6737</b>	<b>109.0</b>	<b>(1x) 30.0</b>	<b>(2x) 250</b>	<b>(1x) 350</b>	<b>(1x) 50</b>