

S15E 1018-09 - 1018-10

Open cooling towers

Engineering data

REMARK: Do not use for construction. Refer to factory certified dimensions & weights. This page includes data current at time of publication, which should be reconfirmed at the time of purchase. In the interest of product improvements, specifications, weights and dimensions are subject to change without notice.

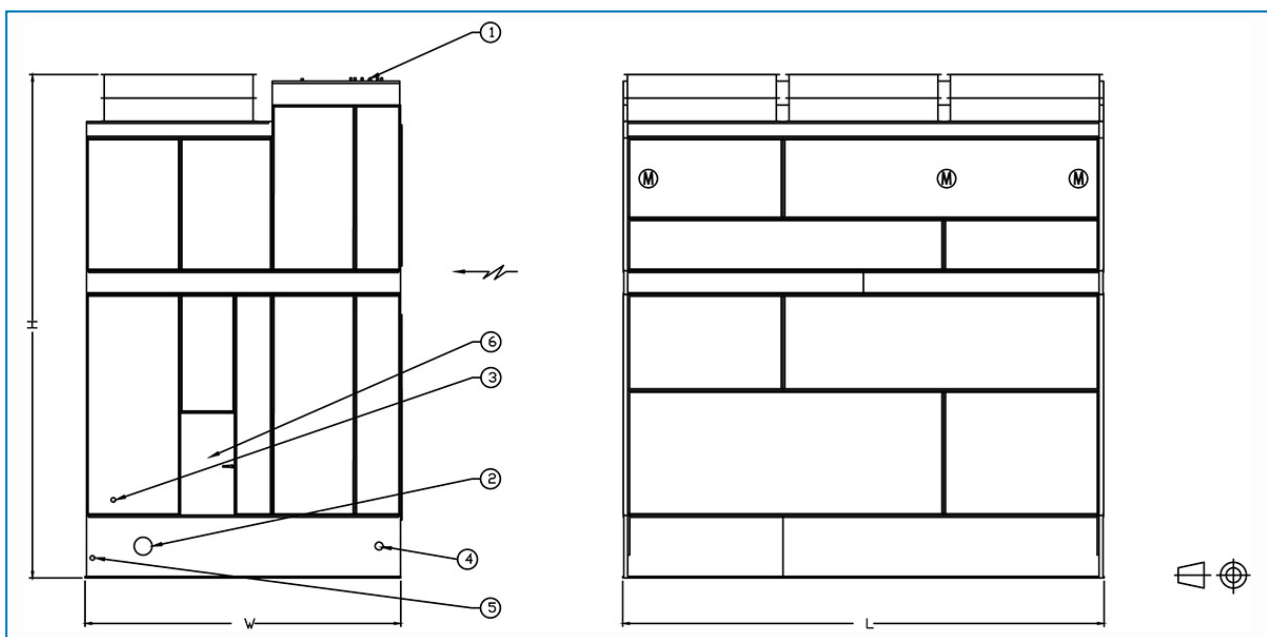
General notes

1. All connections 100 mm and smaller are MPT. Connections 125 mm and larger are beveled-for-welding.
2. Make up, overflow, suction and drain connections can be provided on end opposite to that shown; consult your BAC Balticare representative.
3. Models 1012-09 thru 1012-10, 1018-09 thru 1018-10, 1212-09 thru 1212-12 and 1218-09 thru 1218-12 are shipped in two sections per cell. The top section heights are for model 1012-09 thru 1012-10 and 1212-09 thru 1212-12, 2501 mm. For models 1018-09 thru 1018-10 and 1218-09 thru 1218-12, 2562 mm.

[S1500E cooling tower performance at standard conditions](#)

Last update: 01/05/2023

S15E 1018-09 - 1018-10



1. Water in; 2. Water out; 3. Make up; 4. Overflow ND80; 5. Drain ND50; 6. Access door.



Model	Weights (kg)			Dimensions (mm)			Air Flow (m ³ /s)	Fan Motor (kW)	Fluid Inlet ND (mm)	Fluid Outlet ND (mm)	Make Up ND (mm)
	Oper. Weight (kg)	Ship. Weight(kg)	Heaviest Section (kg)	L	W	H					
S15E 1018-0 9JE	10758	4957	2925	5480	2997	4570	47.0	(3x) 5.5	(1x) 250	(1x) 300	(1x) 40
S15E 1018-0 9KE	10779	4978	2946	5480	2997	4570	52.0	(3x) 7.5	(1x) 250	(1x) 300	(1x) 40
S15E 1018-0 9LE	10947	5146	3114	5480	2997	4570	58.0	(3x) 11.0	(1x) 250	(1x) 300	(1x) 40
S15E 1018-1 0JE	11257	5161	2925	5480	2997	4976	48.0	(3x) 5.5	(1x) 250	(1x) 300	(1x) 40
S15E 1018-1 0KE	11278	5182	2946	5480	2997	4976	53.0	(3x) 7.5	(1x) 250	(1x) 300	(1x) 40
S15E 1018-1 0LE	11446	5350	3114	5480	2997	4976	60.0	(3x) 11.0	(1x) 250	(1x) 300	(1x) 40