

RCT 2118-1 - 2441-1

Open koeltorens

Technische gegevens

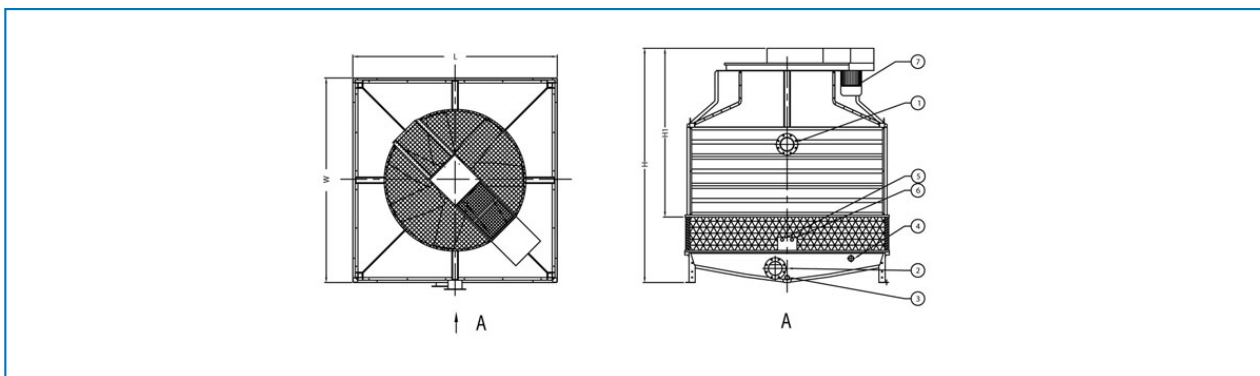
REMARK: Do not use for construction. Refer to factory certified dimensions & weights. This page includes data current at time of publication, which should be reconfirmed at the time of purchase. In the interest of product improvement, specifications, weights and dimensions are subject to change without notice.

General notes

1. Access door is always opposite to inlet connection end.
2. Alternative inlet/outlet and tower configurations are available.
3. Nominal outlet connection size provided.
4. Actual outlet sized to match flow.
5. Models RCT 2218-1 and 2129-1 have direct drive motors.
6. Models RCT 2218-2 and 2129-2 have direct drive motors.
7. Triple fan units are not available with common FRP basin. Only for installation on concrete basin.

Laatst bijgewerkt: 01/09/2024

RCT 2118-1 - 2441-1



1. Waterinlaat; 2. Wateruitlaat; 3. Afvoer; 4. Overloop; 5. Make-up; 6. Snelle vulling; 7. Ventilatormotor.



Model	Gewicht (kg)			Afmetingen (mm)			Luchtdebiet (m ³ /s)	Ventilatormotor (kW)	Vloeistofinlaat ND (mm)
	Bedrijfgewicht (kg)	Transportgewicht (kg)	Zwaarste gedeelte (kg)	L	W	H			
RCT 2118-1	2675	1000	1000	2284	2284	3252	15.4	(1x) 5.5	(1x) 150
RCT 2129-1	2675	1000	1000	2284	2284	3252	17.3	(1x) 7.5	(1x) 150
RCT 2142-1	3375	1250	1250	2589	2589	3326	18.5	(1x) 5.5	(1x) 150
RCT 2156-1	3375	1250	1250	2589	2589	3326	20.4	(1x) 7.5	(1x) 150
RCT 2183-1	4125	1550	1550	2894	2894	3413	23.9	(1x) 7.5	(1x) 200
RCT 2208-1	4125	1550	1550	2894	2894	3413	27.2	(1x) 11.0	(1x) 200
RCT 2238-1	4850	1800	1800	3198	3198	3646	31.2	(1x) 11.0	(1x) 200
RCT 2262-1	4850	1800	1800	3198	3198	3646	34.2	(1x) 15.0	(1x) 200
RCT 2368-1	7300	2700	2700	4787	3198	4228	47.8	(1x) 18.5	(1x) 200
RCT 2386-1	7300	2700	2700	4787	3198	4228	50.2	(1x) 22.0	(1x) 200
RCT 2299-1	5700	2100	2100	3499	3499	3810	39.0	(1x) 15.0	(1x) 200
RCT 2320-1	5700	2100	2100	3499	3499	3810	41.8	(1x) 18.5	(1x) 200
RCT 2418-1	8500	3000	3000	5247	3500	4428	54.3	(1x) 18.5	(1x) 200
RCT 2441-1	8500	3000	3000	5247	3500	4428	57.3	(1x) 22.0	(1x) 200