

# XES15E 1218-09 - 1218-12

## Open koeltorens

## Technische gegevens

**REMARK:** Do not use for construction. Refer to factory certified dimensions & weights. This page includes data current at time of publication, which should be reconfirmed at the time of purchase. In the interest of product improvements, specifications, weights and dimensions are subject to change without notice.

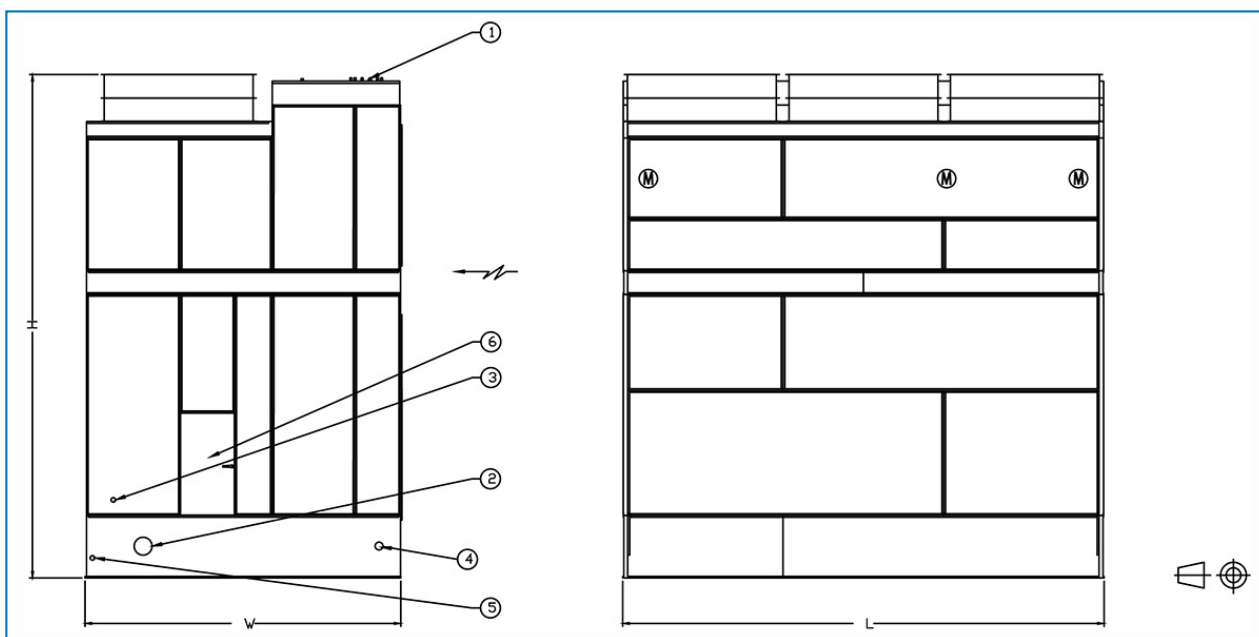
### General notes

1. All connections 100 mm and smaller are MPT. Connections 125 mm and larger are beveled-for-welding.
2. Make up, overflow, suction and drain connections can be provided on end opposite to that shown; consult your BAC representative.
3. Models 1012-09 thru 1012-10, 1018-09 thru 1018-10, 1212-09 thru 1212-12 and 1218-09 thru 1218-12 are shipped in two sections per cell. The top section heights are for model 1012-09 thru 1012-10 and 1212-09 thru 1212-12, 2501 mm. For models 1018-09 thru 1018-10 and 1218-09 thru 1218-12, 2562 mm.

[S1500E cooling tower performance at standard conditions](#)

Laatst bijgewerkt: 01/09/2024

## XES15E 1218-09 - 1218-12



1. Water in; 2. Water uit; 3. Make-up; 4. Overloop ND80; 5. Afvoer ND50; 6. Toegangsdeur.



Model	Gewicht (kg)			Afmetingen (mm)			Luchtdebi et (m <sup>3</sup> /s)	Ventilator motor (kW)	Vloeistofi nlaat ND (mm)	Vloeistofu itlaat ND (mm)	Suppletie ND (mm)
	Bedrijfsge wicht (kg)	Transport gewicht (kg)	Zwaarste gedeelte (kg)	L	W	H					
XES15 E 1218- 09EE	12197	5352	3012	5480	3607	4570	32.0	(3x) 1.1	(1x) 250	(1x) 300	(1x) 40
XES15 E 1218- 09FE	12224	5380	3039	5480	3607	4570	35.0	(3x) 1.5	(1x) 250	(1x) 300	(1x) 40
XES15 E 1218- 09GE	12265	5420	3080	5480	3607	4570	40.0	(3x) 2.2	(1x) 250	(1x) 300	(1x) 40
XES15 E 1218- 09HE	12279	5434	3093	5480	3607	4570	48.0	(3x) 4.0	(1x) 250	(1x) 300	(1x) 40
XES15 E 1218- 10EE	12787	5584	3012	5480	3607	4976	33.0	(3x) 1.1	(1x) 250	(1x) 300	(1x) 40
XES15 E 1218- 10FE	12814	5611	3039	5480	3607	4976	37.0	(3x) 1.5	(1x) 250	(1x) 300	(1x) 40
XES15 E 1218- 10GE	12855	5652	3080	5480	3607	4976	41.0	(3x) 2.2	(1x) 250	(1x) 300	(1x) 40
XES15 E 1218- 10HE	12868	5665	3093	5480	3607	4976	50.0	(3x) 4.0	(1x) 250	(1x) 300	(1x) 40
XES15 E 1218- 10JE	12936	5733	3162	5480	3607	4976	55.0	(3x) 5.5	(1x) 250	(1x) 300	(1x) 40
XES15 E 1218- 11EE	13141	5820	3012	5480	3607	5382	35.0	(3x) 1.1	(1x) 250	(1x) 300	(1x) 40
XES15 E 1218- 11FE	13168	5847	3039	5480	3607	5382	38.0	(3x) 1.5	(1x) 250	(1x) 300	(1x) 40
XES15 E 1218- 11GE	13209	5888	3080	5480	3607	5382	43.0	(3x) 2.2	(1x) 250	(1x) 300	(1x) 40
XES15 E 1218- 11HE	13222	5901	3093	5480	3607	5382	52.0	(3x) 4.0	(1x) 250	(1x) 300	(1x) 40
XES15 E 1218- 11JE	13290	5969	3162	5480	3607	5382	57.0	(3x) 5.5	(1x) 250	(1x) 300	(1x) 40
XES15 E 1218- 12EE	13617	6060	3048	5480	3607	5789	36.0	(3x) 1.1	(1x) 250	(1x) 300	(1x) 40
XES15 E 1218- 12FE	13644	6087	3048	5480	3607	5789	39.0	(3x) 1.5	(1x) 250	(1x) 300	(1x) 40
XES15 E 1218- 12GE	13685	6128	3080	5480	3607	5789	44.0	(3x) 2.2	(1x) 250	(1x) 300	(1x) 40
XES15 E 1218- 12HE	13698	6142	3093	5480	3607	5789	53.0	(3x) 4.0	(1x) 250	(1x) 300	(1x) 40
XES15	13767	6210	3162	5480	3607	5789	58.0	(3x)	(1x)	(1x)	(1x) 40



E 1218- 12JE								5.5	250	300	
-----------------	--	--	--	--	--	--	--	-----	-----	-----	--