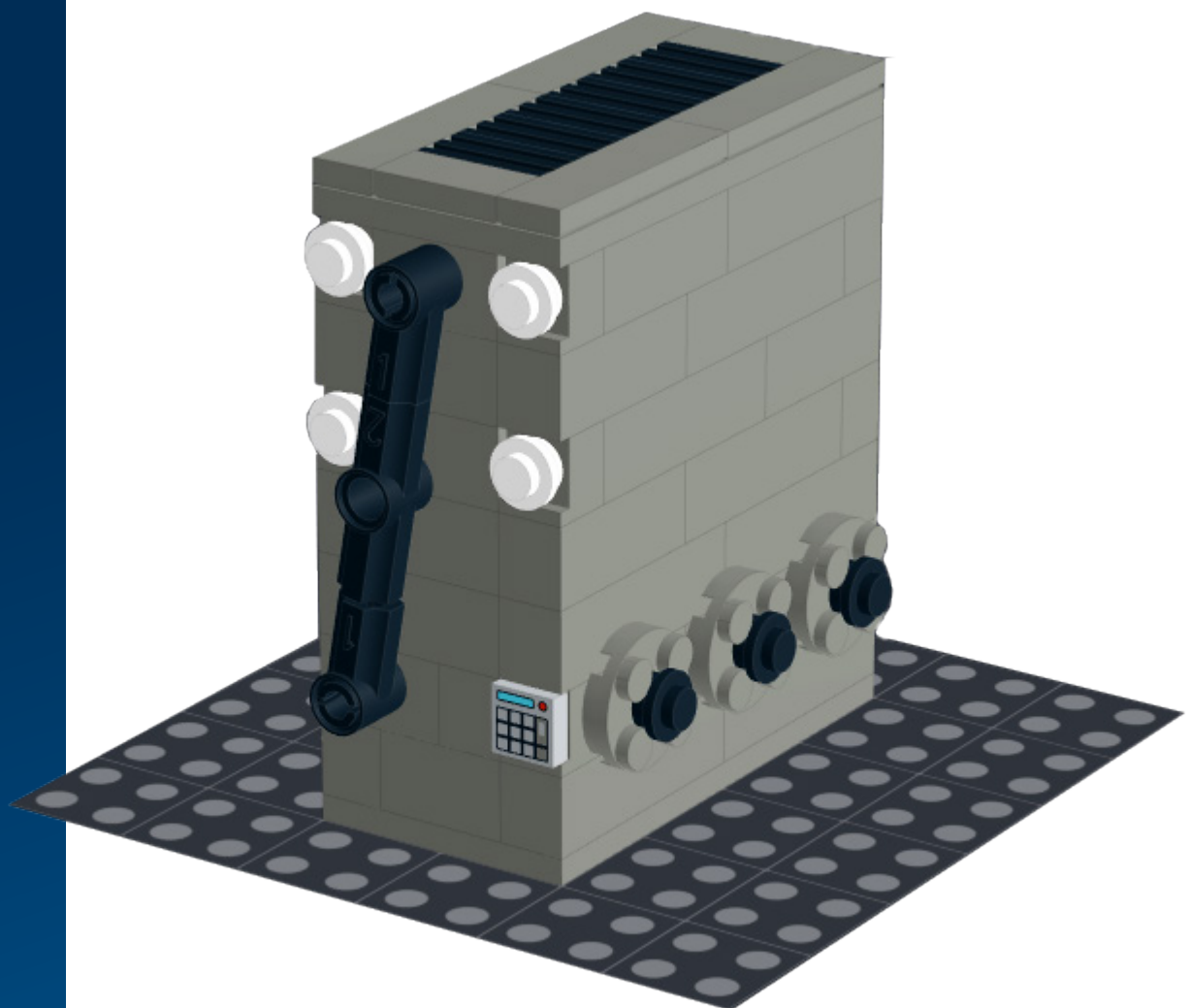




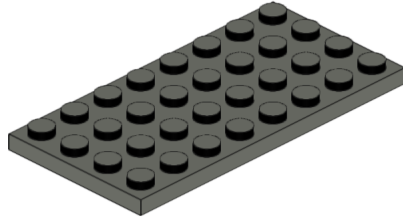
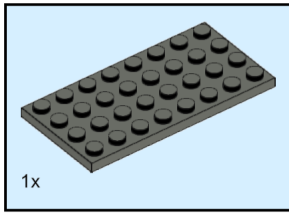
Polairis PLC3

Custom Lego Build

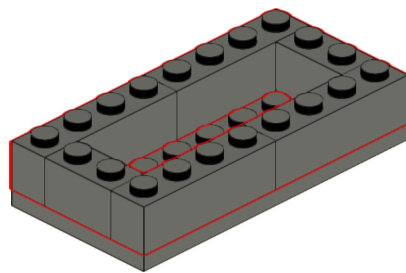
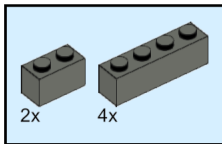
Share your build with us on social media
via **#LegoBuildPolairis**



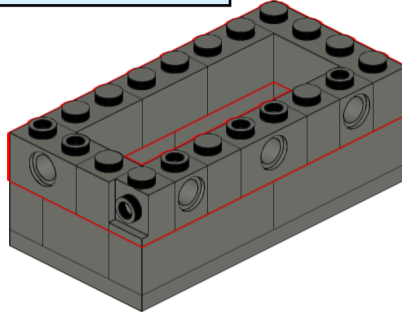
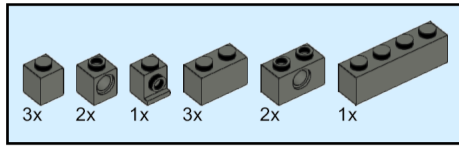
1



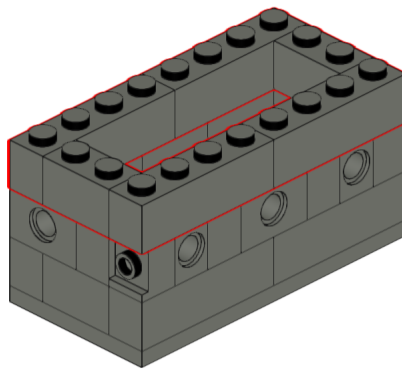
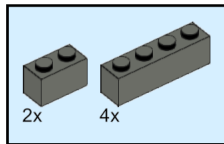
2



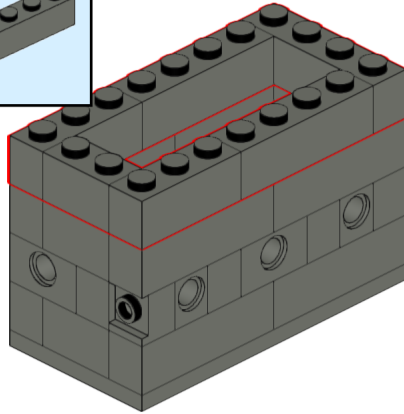
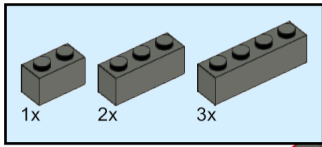
3



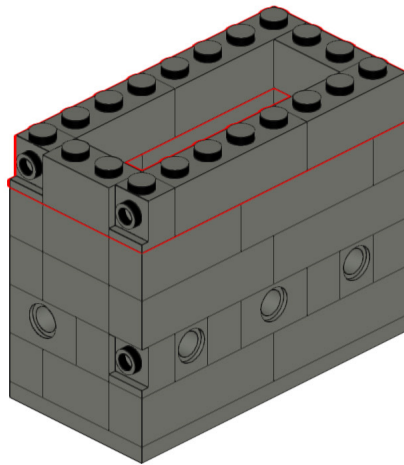
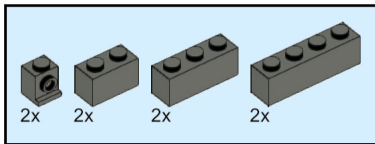
4



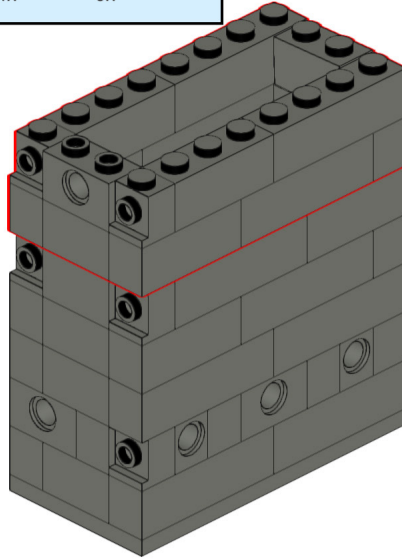
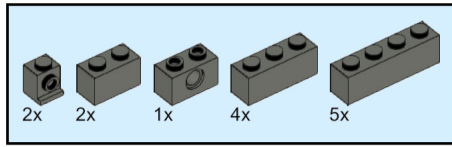
5



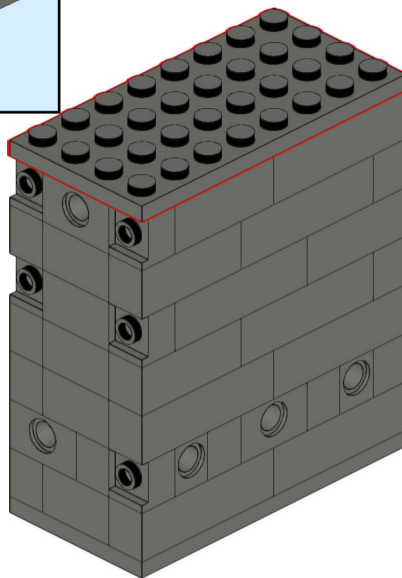
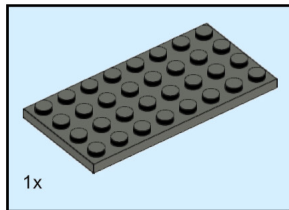
6



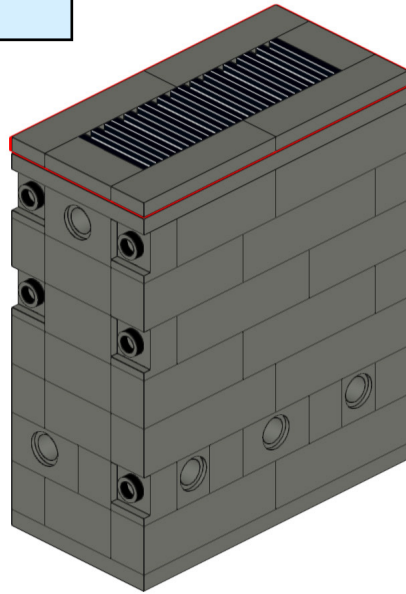
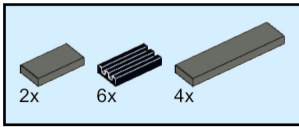
7



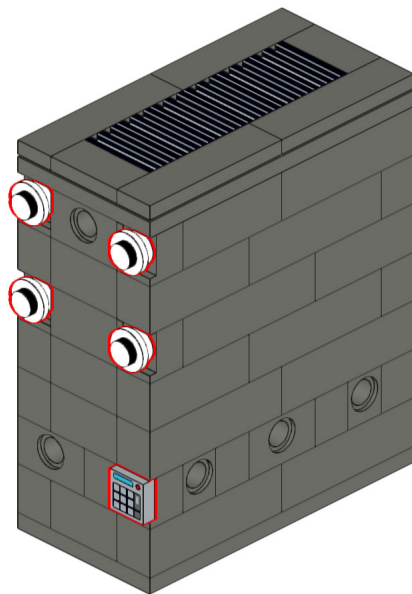
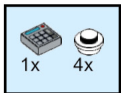
8



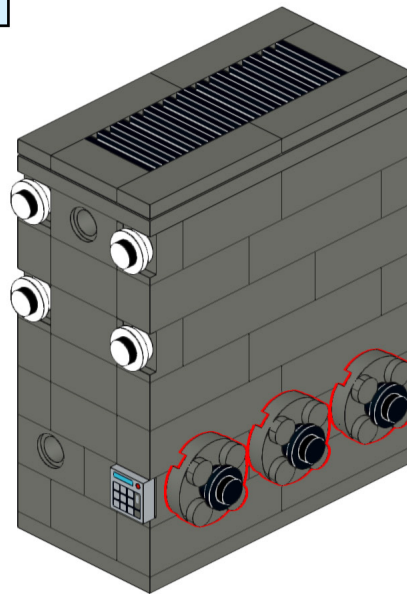
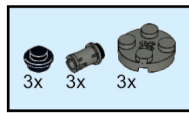
9



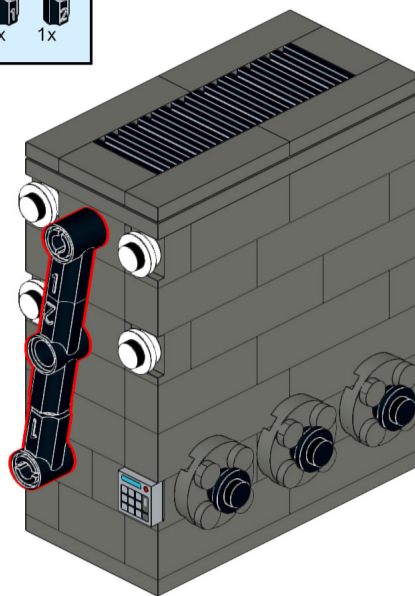
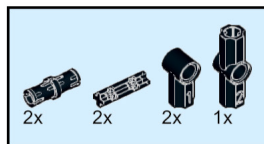
10



11



12





Add the BAC logo to your build and enjoy your very own Polairis PLC3 condenser.

Share your build via #LegoBuildPolairis